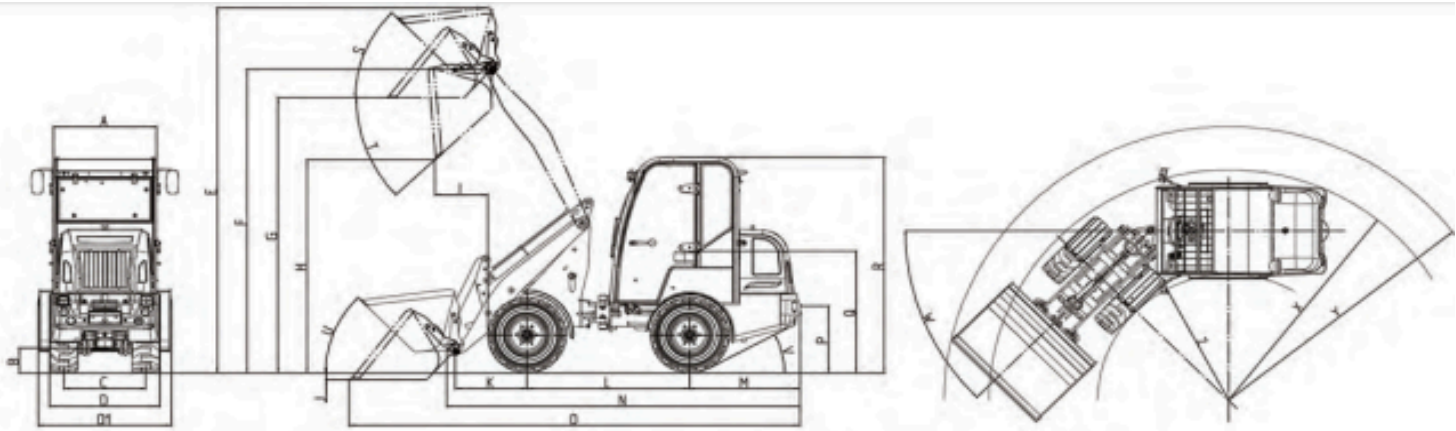




Lashing TGV -  
WWW.LASHING.BE

Voermanstraat 1  
INFO@LASHING.BE

9240 ZELE  
+32(0)52/47.86.33



## TECHNICAL DATA

<b>Model</b>	820 K36
<b>Engine data</b>	
Manufacturer	KUBOTA
Engine type	V1505
Displacement(ml)	1498
Cylinder	4
Max. power(kW)	26.5
Cooling	water-cooled
<b>Electrical system</b>	
Operating voltage(V)	12
Battery (Ah)	60
<b>Weights</b>	
Operating weight(standard) (kg)	2280
Max. lifting force(kg)	1750
<b>Tipping loads in bucket (according to ISO 8313)(kg)</b>	
Lift frame horizontal /machine straight	1280
Lift frame horizontal /machine articulated	840
<b>Tipping loads in pallet fork (according to ISO 8313)(kg)</b>	
Lift frame horizontal /machine straight	1120
Lift frame horizontal /machine articulated	700
<b>Vehicle data</b>	
Driving speed(km/h)	0~16/L:0~11 H:0~24
Capacity of fuel tank(l)	45
Hydraulic oil (l)	40
<b>Hydraulic system</b>	
<b>Hydraulic driving</b>	
Output(l/min)	102
Working pressure(bar)	380
<b>Hydraulic operation</b>	
Output(l/min)	45
Working pressure(bar)	180

## OUTLINE DIMENSIONS

<b>Model</b>	820 K36
<b>Dimensions(mm)</b>	standard
A Bar width	1048
B Ground clearance	250
C Track width	795
D Total width	1080
D1 Total width with bucket	1320
E Total working height	3728
F Max. height of bucket pivot	3100
G Overhead loading height	2775
H Max. dumping height	2110
I Operating distance for M	484
J Digging depth	200
K Axle center up to bucket hinge pin	590
L Wheelbase	1600
M Rear overhang	1094
N Total length without bucket	3440
O Total length with standard bucket	4360
P Coupler height	700
Q Seat height	1165
R Height to top of FOPS bar	2225
S Rollback angle at max. lifting height	45°
T Max. dumping angle	45°
U Backroll angle on the ground	46°
V Departure angle	27°
W Turning angle	45°
X Max. turning radius	3085
Y Radius at the outer edge	2597
Z Inside turning radius	1450
<b>Width</b>	
<b>10-16.5NHS</b>	<b>1080</b>
31X15.5-15AS	1320
values printed in bold indicate the standard tyre equipment	



Lashing TGV -  
WWW.LASHING.BE

Voermanstraat 1  
[INFO@LASHING.BE](mailto:INFO@LASHING.BE)

9240 ZELE  
+32(0)52/47.86.33

# 820 WHEEL LOADER



## PRODUCT FEATURES

- High performance environmental protection engine imported from Japan
- Whole hood can be overturned, maintenance more convenient
- Safety and comfortable driver protection guard / Cab
- Advanced ergonomic engineering design
- Hydrostatic transmission system, provide two-speed motor to choose, the performance is better.
- Quick change with various attachments